

magnet-stick C



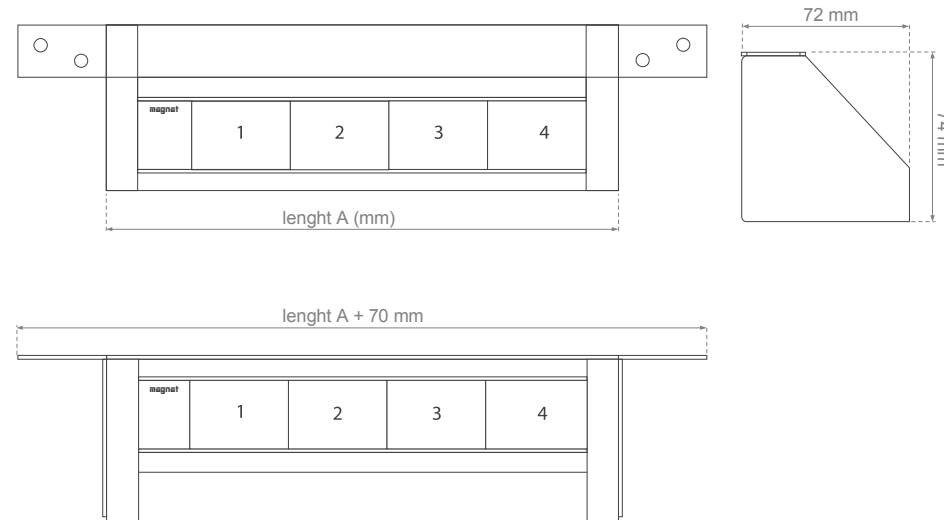
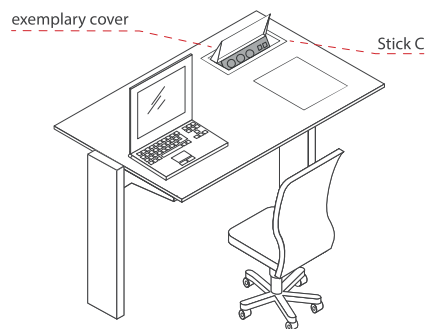
magnet-stick C

Mediaport mounted in the cable tray, can be used with covers like magnet-Subdesk.

magnet-stick C is a perfect alternative for regular power and multimedia strips. It's a very good solution when all cables should be at the back, it makes the assembling much easier.

■ Standard versions:
2-module, 3-module, 4-module, 5-module, 6-module.

■ System used in **magnet** product line allows to adopt the configuration to individual client's needs because of available power sockets and multimedia modules. More information on page 28.

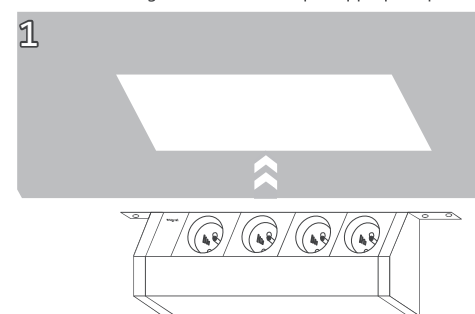


Dimensions of C version (length of housing):

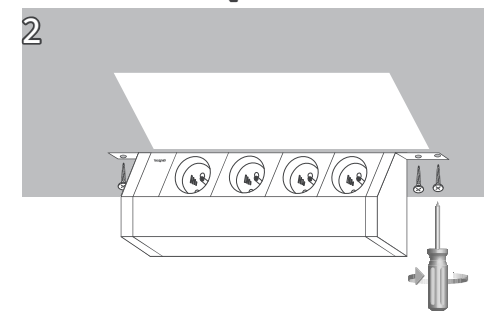
version	length A
4-module	234 mm
6-module	320 mm

* Dimensions above don't concern configurations with UK power sockets nor the ones without multimedia ports / USB chargers. This kind of dimensions are available on request.

Place the housing under the table top in appropriate place.



Use wood screws to fix **magnet-stick C**.



WHITE
(RAL9003)



BLACK
(RAL9005)



NATURAL ANODIZED
ALUMINIUM