



magnet-stick P

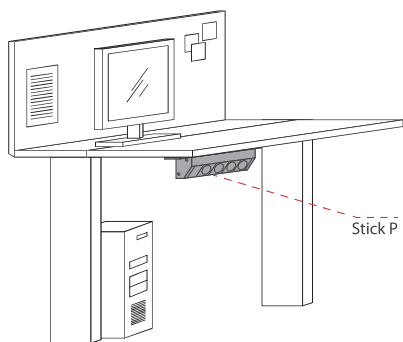
Mediaport mounted under the table top / desk. It's an economical solution dedicated to office workstations.

magnet-stick P is very efficient in situation where power strip should be hidden under the table top and easy access to power sockets and multimedia ports is needed. Cable routing in this version allows to avoid cutting additional mounting holes.

magnet-stick P is available in versions from 2 to 6 modules and a few colour variants: anodized on black (RAL9005), natural or painted in white, red, yellow, green or blue colour.

- Standard versions:
2-module, 3-module, 4-module, 5-module, 6-module.

- System used in **magnet** product line allows to adopt the configuration to individual client's needs because of available power sockets and multimedia modules. More information on page 28.



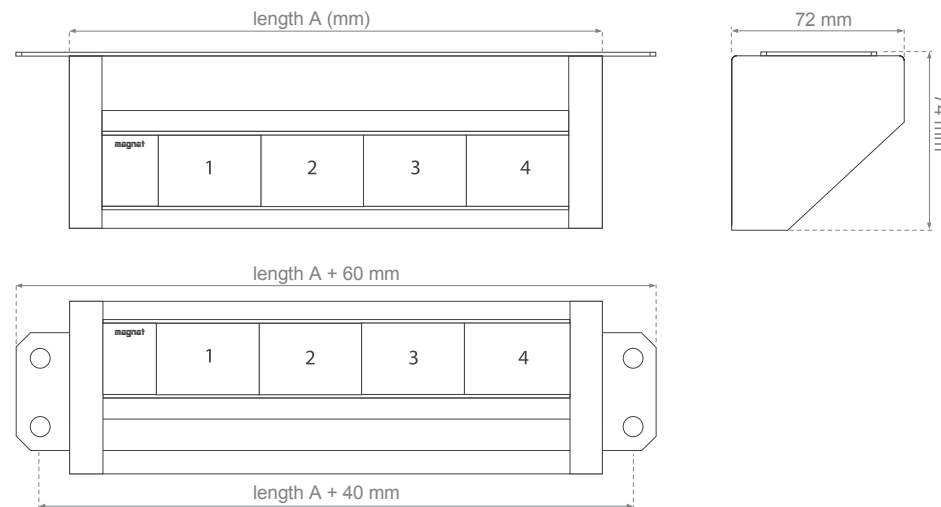
WHITE
(RAL9003)



BLACK
(RAL9005)



NATURAL ANODIZED
ALUMINIUM



Dimensions of P version (length of housing):

version	length A
2-module	147 mm
3-module	191 mm
4-module	234 mm
5-module	277 mm
6-module	320 mm
7-module and more	62 + (43 * number of modules)

* Dimensions above don't concern configurations with UK power sockets nor the ones without multimedia ports / USB chargers. This kind of dimensions are available on request.

Place the housing under the table top in appropriate place.

Use wood screws to fix **magnet-stick P**.

