

magnet-Stick T



magnet-Stick T

Mediaport used to cover the cable duct in situation where there's no possibility to assembly the mediaport on edge of the table. Wiring is put through standard Ø60 hole.

magnet-Stick T is a perfect solution for office workstations. It's available in versions from 2 to 6 modules.



■ Standard versions:
2-module, 3-module, 4-module, 5-module, 6-module.

■ System used in **magnet** product line allows to adopt the configuration to individual client's needs because of available power sockets and multimedia modules. More information on page 28.



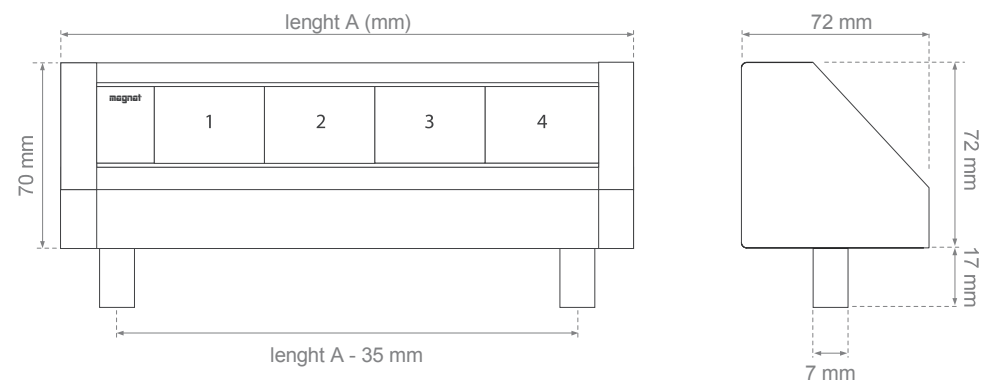
WHITE
(RAL9003)



BLACK
(RAL9005)

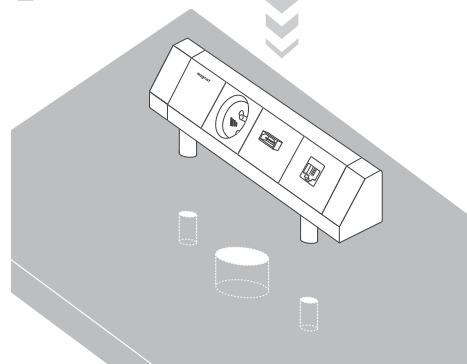


NATURAL ANODIZED
ALUMINIUM



Mounting holes cut in the table top / desk.

1



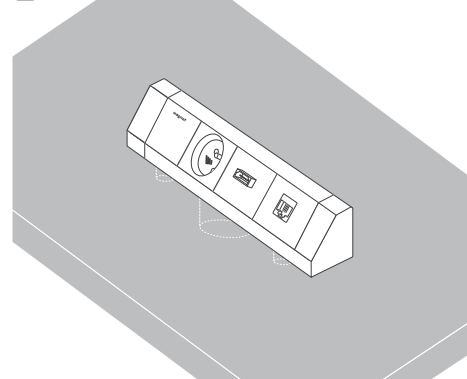
Dimensions of T version (length of housing):

version	length A
2-module	147 mm
3-module	191 mm
4-module	234 mm
5-module	277 mm
6-module	320 mm
7-module and more	62 + (43 * number of modules)

* Dimensions above don't concern configurations with UK power sockets nor the ones without multimedia ports / USB chargers. This kind of dimensions are available on request.

Insert the housing into mounting holes.

2



Fix **magnet-Stick T** to the desk using screws.

3

